

MANUAL

RT-13S



Rodek

■ Table of Contents

Preface-----	1
Safety Alert Signs-----	2
Safety precautions-----	4
Management-----	5
Names and Function of Each Part-----	6
User's Guide-----	7
Problems-----	10
References-----	11
Management and Inspection-----	11
Fuse Replacement-----	11
Warranty Period-----	13
Precautions When Using-----	13
Storage After Use & Maintenance -----	14
Detailed Description-----	14
Rough Map of company -----	15

■ Preface

Thank you for purchasing the Refraction Table RT 13S.

Please read this manual carefully and make sure you are familiar with the contents before using the equipment.

Ⓢ Operating Environment



- ✓ Use the system under the following normal conditions:
Operation : +5 to +40°C, 30 to 80% r.h., 70 to 106 kPa
- ✓ Make sure the system is properly plugged into the power source before use.
- ✓ Use the Power Supply (SMPS) within the range of 220-240V~ 50/60Hz.
- ✓ Always turn OFF this system when not in use.

■ Safety Alert Signs








This manual provides important information to prevent improper operation leading to human injury or property damage to the user or another person.

Please read the "Safety Precautions" carefully and follow all safety indications and symbols.

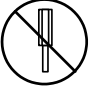









Ⓢ Safety Marks and Definitions

	Warning	This symbol indicates information that, if not adhered to, could possibly result in serious personal injury or even death due to incorrect handling.
	Caution	This symbol indicates information that, if not adhered to, could result in minor or moderate injury or property damage.

Symbols and Definitions

	<p>Template for a prohibition sign (red circle and diagonal); The black symbol or text shall be placed centrally on the background and shall not obliterate the cross bar, or a supplementary text next to the sign.</p>
	<p>Template for a mandatory action sign (blue background); The white symbol or text shall be placed centrally on the background, or a supplementary text next to the sign.</p>
	<p>Template for a warning sign (yellow background and black triangle); The black symbol or text shall be placed centrally on the background, or a supplementary text next to the sign.</p>
	<p>Warning - Disposal of waste products</p> <ol style="list-style-type: none"> 1. When this crossed-out wheeled bin symbol is attached to a product it means the product is covered by the European Directive 2012/19/EU. 2. All electrical and electronic products should be disposed of separately from the municipal waste stream via designated collection facilities appointed by the government or the local authorities. 3. The correct disposal of your waste products will help prevent potential negative consequences for the environment and human health. 4. For more detailed information about disposal of your waste products, please contact your city office, waste disposal service or the shop where you purchased the product.
	<p>Follow instructions for use</p>
	<p>Manufacturer</p>
	<p>Serial no.</p>

■ Safety Precautions

Symbol	Description
	Do not disassemble the table for repair. Electric shock may occur. Contact the sales shop for repairs.
	Do not place the table near water or another area with liquid. Fire or electric shock may occur.
	Connect the table to a single-phase AC power plug. Otherwise, it can cause a fire or electric shock.
	Replace the fuse only after the power cord is unplugged. Otherwise, an electric shock may occur. Use the appropriate fuse.
	Unplug the power cord immediately when smoke or any other problem occurs. Otherwise, there is a danger of fire. Please contact the sales shop for repairs.
	Do not place the equipment on an unstable foundation or slanted more than 5°. It may cause injury.
	Do not place heavy materials exceeding the specified weight. It may cause injury.
	Do not put your fingers around moving or rotating machinery objects. It may cause injury.
	Do not open the cover, as electric shock may result. Contact the sales shop when repairs are needed.
	Other than those supplied by the manufacturer of the product safety when using the power line is not guaranteed.

■ Management

Ⓢ Operator's Management

Other than what is indicated in this manual, for safety reasons, do not perform administrative maintenance tasks on the equipment; have qualified service people complete all maintenance and repairs.

The items listed below can be managed by customers:

✓ **Fuse Replacement**

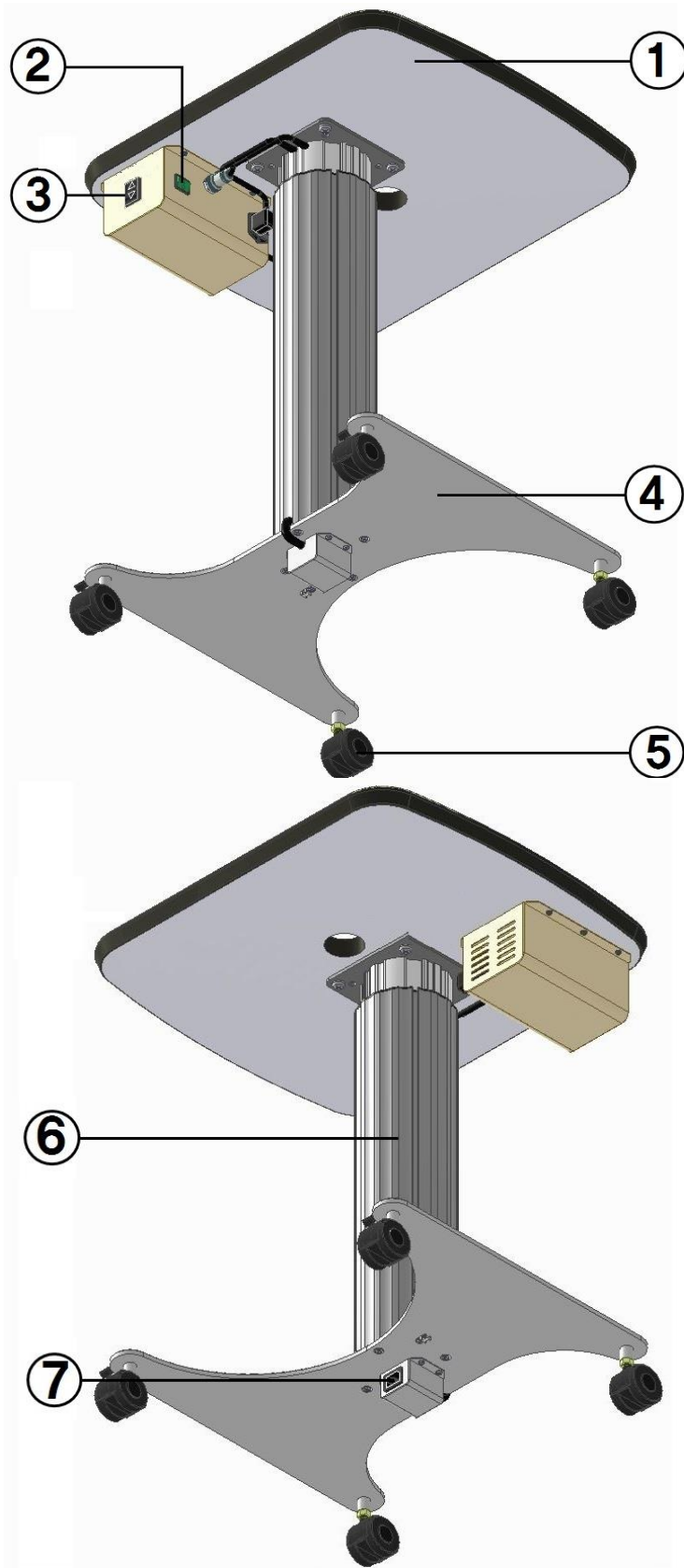
The fuse is a replaceable item.

Refer to its handling method in the manual.

Ⓢ Disclaimers

- ✓ We are not responsible for damages caused by fire, earthquakes, acts by third parties, or other accidents, or damage caused by negligence or use under abnormal conditions.
- ✓ We are not responsible for damages caused by abnormal use of the machine not described in the instruction manual.

■ Name & Function of Each Part



Name & Function of Each Part

- ① TABLE: Mounting base
- ② MAIN POWER Switch: The switch to turn ON & OFF the MAIN POWER
- ③ UP & DOWN Switch: The switch to turn UP & DOWN the table
- ④ BASE: Used to secure to the table to the floor
- ⑤ CASTER: Movable or stoppable wheels are fixed hereto.
- ⑥ COLUMN
- ⑦ POWER INLET SOCKET: Used to connect power cords
FUUSE 250V F5AL 2EA

※ Check the following standard accessories:

- ✓ User's Guide (1 EA)
- ✓ Glass tube fuse 250V F5AL (2 EA)

User's Guide

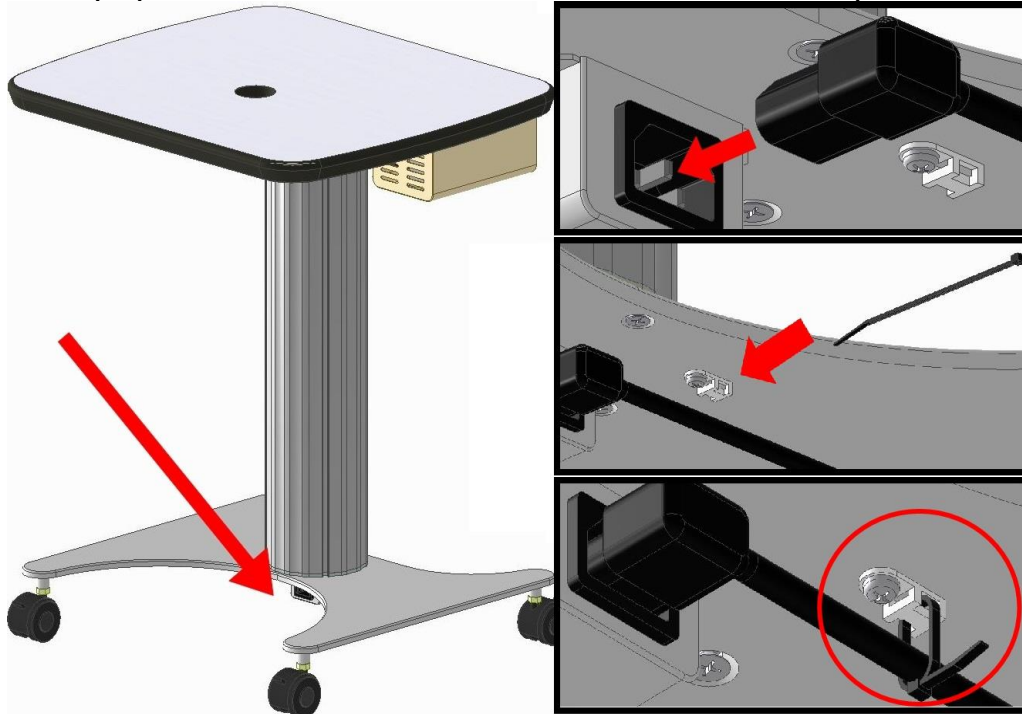
※Protection would be impaired if the equipment is used in a manner not specified in the manual by the manufacturer.

Before Use

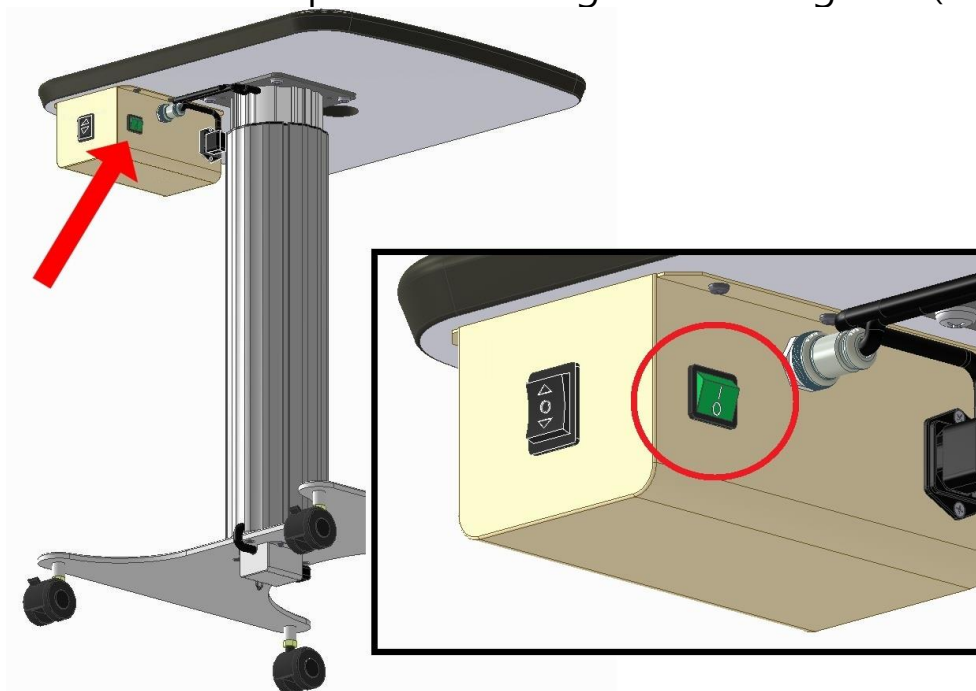
- ① Check the power voltage. (220-240V~ 50/60Hz)
- ② Check that all switches are positioned properly.
- ③ After connecting the power, check the machine for proper operation.

Ⓜ Operation Method and Procedures

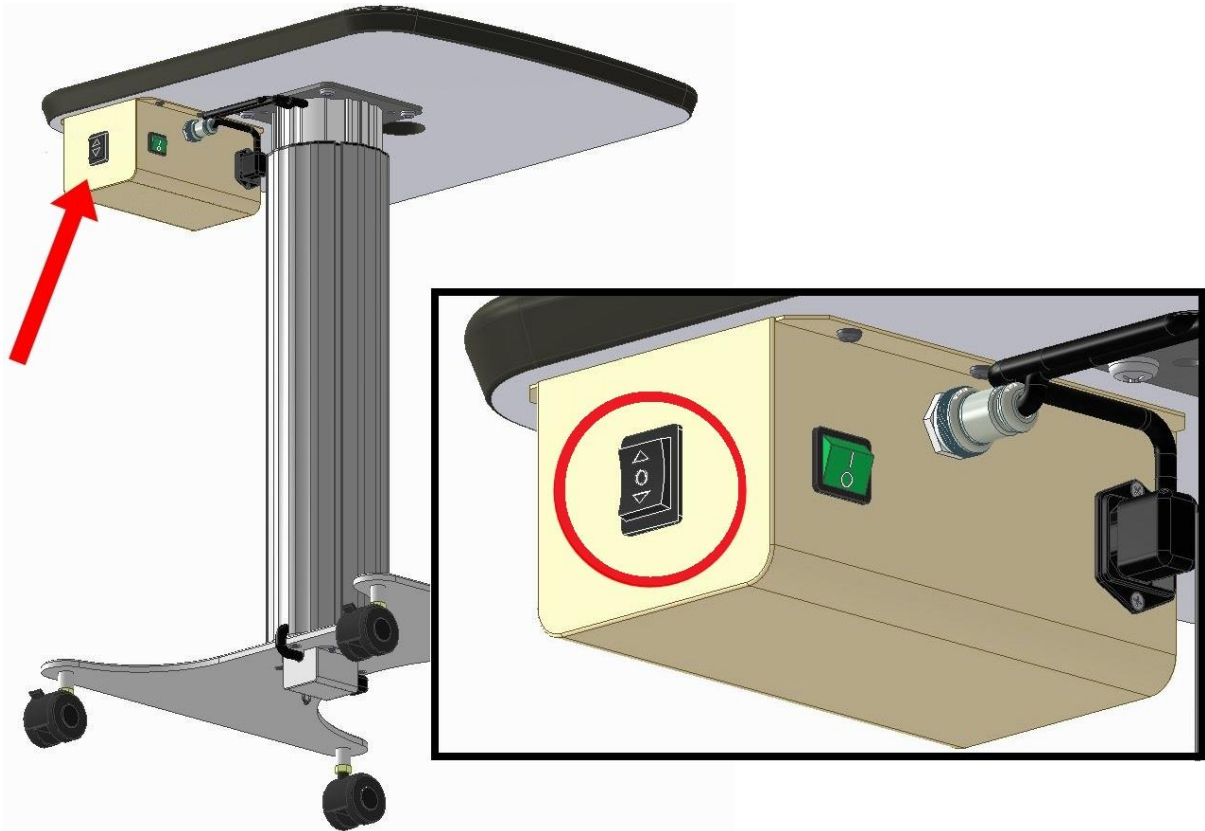
- ① Insert the POWER CABLE into the input socket at the bottom of the equipment and connect it to a commercial power supply.



- ② Push the green switch on the control panel at the left of the product to the "O" position. The light will turn green (POWER ON).





- ③ Press the UP(▲)/DOWN(▼) Switch at the lower of the table to adjust the table's height.



- ④ Press the UP(▲)/DOWN(▼) switch to return the height of table to its original position.
- ⑤ Push the POWER switch on the control panel to the "I" position.
The green light will turn off (POWER OFF).
- ⑥ Remove the POWER CABLE from the commercial power supply.

■ Problems

@ Solutions

	Warning	Do not disassemble the table. You may get an electric shock. Contact the sales shop for repairs.
	Caution	Do not open the cover. You may get an electric shock. Contact the sales shop for repairs.

Please refer to the following checklist if any problems occur.
For other cases, contact the sales shop.

✓ Checklist

Problem	Check Item	Probable Cause and Remedy	Remarks
Ascending/ descending of the table does not work properly	Check the POWER CABLE for proper connection.	Position POWER switch to "I" and connect the POWER CABLE.	
	Check that the POWER Switch turns ON.	Position the POWER switch to "O," and check that the green LED turns on.	
	Check the fuse for normal conditions.	Refer to "fuse replacement."	

■ Reference

Ⓢ Specifications and Performance


- ✓ Up and down moving range of table: 670~970mm
 - ✓ Table Size: 550x500
 - ✓ Power Supply: 220-240V~ 50/60Hz
 - ✓ Total Weight: approx. 22Kg
 - ✓ Allowable weight on table: 60kg
 - ✓ Maximum power consumption(Full road): 50VA
- ※ Specifications and appearance of the product are subject to change without notice.
- ※ This product is not contained with a chair.

■ Management and Inspection

Ⓢ Daily Management

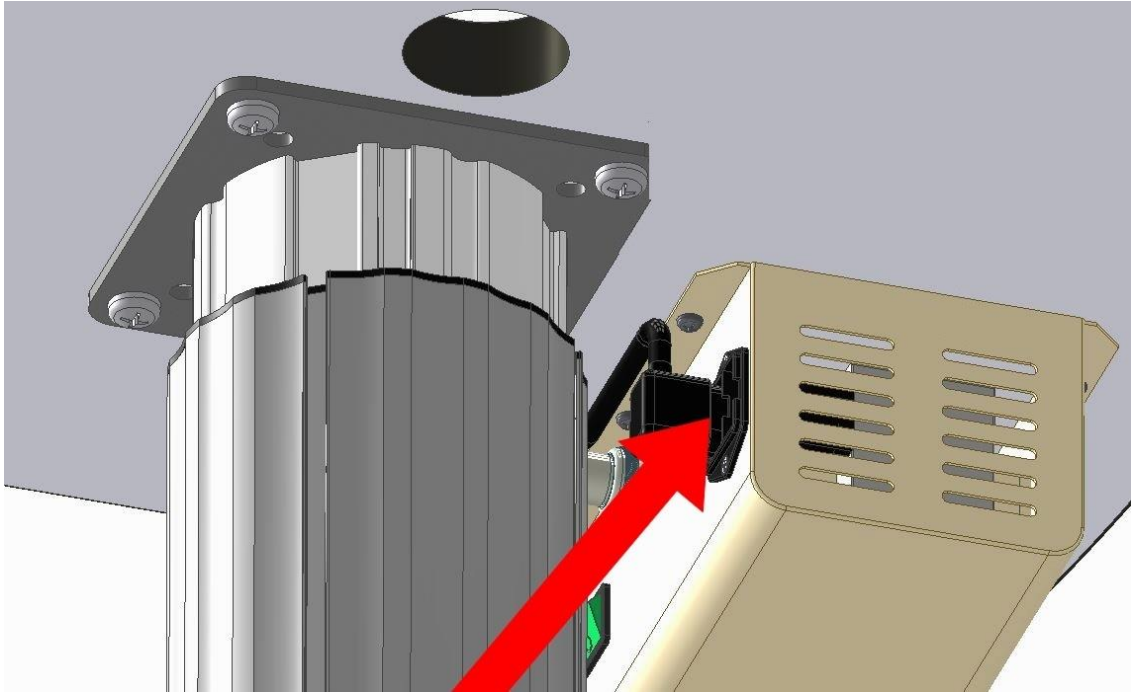
- ✓ Turn off the equipment when it is not in use.
- ✓ Do not place the equipment in a dusty area.

Ⓢ Fuse Replacement



	Warning	Turn off the power switch before replacing the fuse. Otherwise, electric shock may occur. Use the appropriate fuse.
---	----------------	---

Make sure that the power switch is positioned to "I," and then pull out the POWER CABLE.

- ✓ Open the fuse holder located at the bottom of the power input socket with a screwdriver.
- ✓ Replace the FUSE with a new one (250V F5AL).



@ Cleaning of the External Cover

	Caution	Do not open the cover. Electric shock may occur. Contact the sales shop for repairs.
	Caution	<ul style="list-style-type: none"> • Do not install the equipment in a chemical storage or gas-generating area. • Install it in a dry place. • Install in a place without adverse effects such as poor barometric pressure, temperature, humidity, sunlight, salinity, ion composition, etc. • Disconnect the power cord when not in use.

When cleaning the external cover or the operation panel, use a soft cotton cloth and, if the dirt is severe, apply mild kitchen detergent to the cloth and wipe off carefully.

■ **Warranty Period**

The warranty period of this product is one year from the date of purchase. This warranty excludes any failure caused by misuse or mishandling of the user.

■ **Precautions When Using**

- Ⓜ **Check the equipment and user for abnormal conditions.**
- Ⓜ **Immediately stop operation and evacuate the user when any abnormality is found in the equipment.**
- Ⓜ **When installing the equipment, be careful of the following:**
 - ✓ Install it in a dry place.
 - ✓ Install in a place that does not cause any adverse effects such as poor barometric pressure, temperature, humidity, sunlight, salinity, ion composition, etc.
 - ✓ Be careful of safety precautions including slants, vibrations, and shock (in transportation).
 - ✓ Do not install the equipment in a chemical storage or gas-generating area.

✓ Use the specified power frequency, voltage, and capacity (or power consumption).

Ⓢ **As specified by the manufacturer or supplier of the product using a different power line safety is not guaranteed.**

Ⓢ **Observe the following precautions when using the equipment.**

Check the switch for normal connection and proper operation.

✓ Check all power cords for correct and proper connection.

✓ Table U/D Motor Duty Cycle: 10%

■ **Storage After Use & Maintenance**

Ⓢ **After using, return the POWER, etc. to their original position.**

Then disconnect the power cord.

Ⓢ **When disconnecting the power cord, do not use excessive force.**

Ⓢ **Observe the following precautions when storing the equipment.**

Store it in a dry place.

✓ Store in a place that does not have any adverse effects such as poor barometric pressure, temperature, humidity, sunlight, salinity, ion composition, etc.

✓ Be careful of safety precautions including slants, vibrations, and shock (in transportation).

- ✓ Storage & transportation : -10 to +55°C, 10 to 95% r.h.,
50 to 106 kPa
- ✓ Do not store the equipment in a chemical storage or gas-generating area.
- Ⓢ **Clean the accessories, power cords, etc. before storage.**
- Ⓢ **Clean the equipment thoroughly for future use.**

■ Detailed Description

1. Manufacturer Name and Address

- Company Name: Rodek Co.,Ltd.
- Address: 61, Jikji-daero 456beon-gil, Heungdeok-gu,
Cheongju-si, Chungcheongbuk-do, 361-290, Korea
- TEL: +82-43-274-2520 • FAX: +82-43-275-2520
- Website: <http://www.Rodek.co.kr> <http://www.neofits.co.kr>

2. Product Name, Model Name: Refraction table, RT 13S

3. Package Unit: 1 BOX

4. Technical Specifications

- Table size: 550x500mm • Height of table: 670~970mm
- Rated Power: 220-240V~ 50/60 Hz
- Power Consumption: 50VA
- Allowable Weight of Table: 60 kg • Total weight: 22kg

5. Creation & Revision date of Manual: 2014/10(VER 1.3)

■ Rough Map of the Company

